

# INNO<sup>®</sup> MOBILIS



## Power supply rail 40 A - 60 A

The Mobilis INNO<sup>®</sup> range is an **electrification system** with a patented connection designed for travelling cranes and other equipment requiring a mobile power connector.

***Benefits: Mobilis design, ease of assembly, reliable operating and simplified maintenance.***



**INNO<sup>®</sup>**  
**MOBILIS**

## Power supply rails

40 A - 60 A

**Compact multiconductor  
duct pre-equipped  
with four conductors**

**IP23 rating  
for outdoor use**

**Up to 250 m without  
expansion joint**

**Innovative, simple  
and fast connection**

**Tool-free assembly**

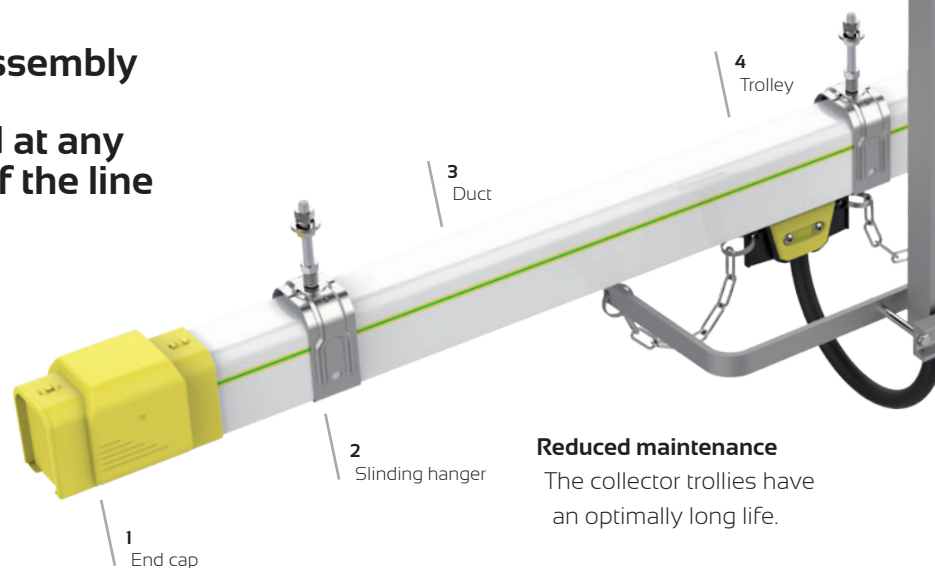
**Powerfeed at any  
position of the line**

### **The optimum solution for long straight lines**

The INNO<sup>®</sup> system is an optimised adaptation of the Mobilis ELITE<sup>®</sup> range.

It allows you to make straight lines without expansion joint up to 250 m.

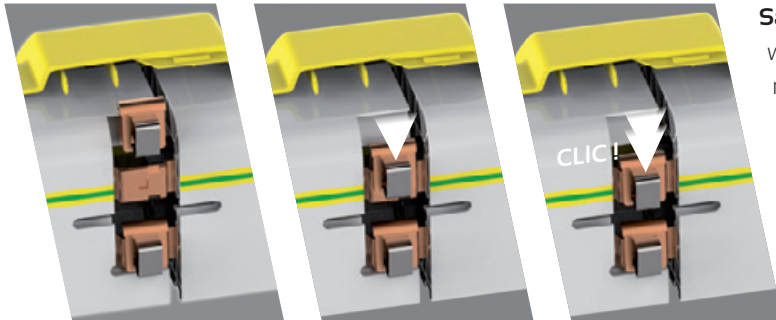
All the components are perfectly sized for 40 A and 60 A rating. The result is a solution that is absolutely reliable and cost-effective, and ideal for a large number of applications that do not need the wealth of Mobilis ELITE<sup>®</sup> range options.



### **Reduced maintenance**

The collector trolleys have an optimally long life.

*Innovation:  
quick and safe connection!*



**Save installation time**

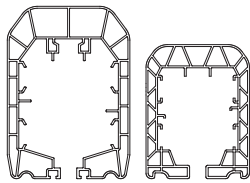
with the patented clip connection mechanism. Assembly is done by hand and no tools are needed.

Engage the clip, then push the spring home: the "clik" confirms the good connection.

A dedicated tool is available for removing the clip if needed.

**Compact and reduced weight**

The section of the INNO® duct is 30% smaller than the ELITE® one. As a result, the INNO® duct weighs 10% less than the ELITE® duct.

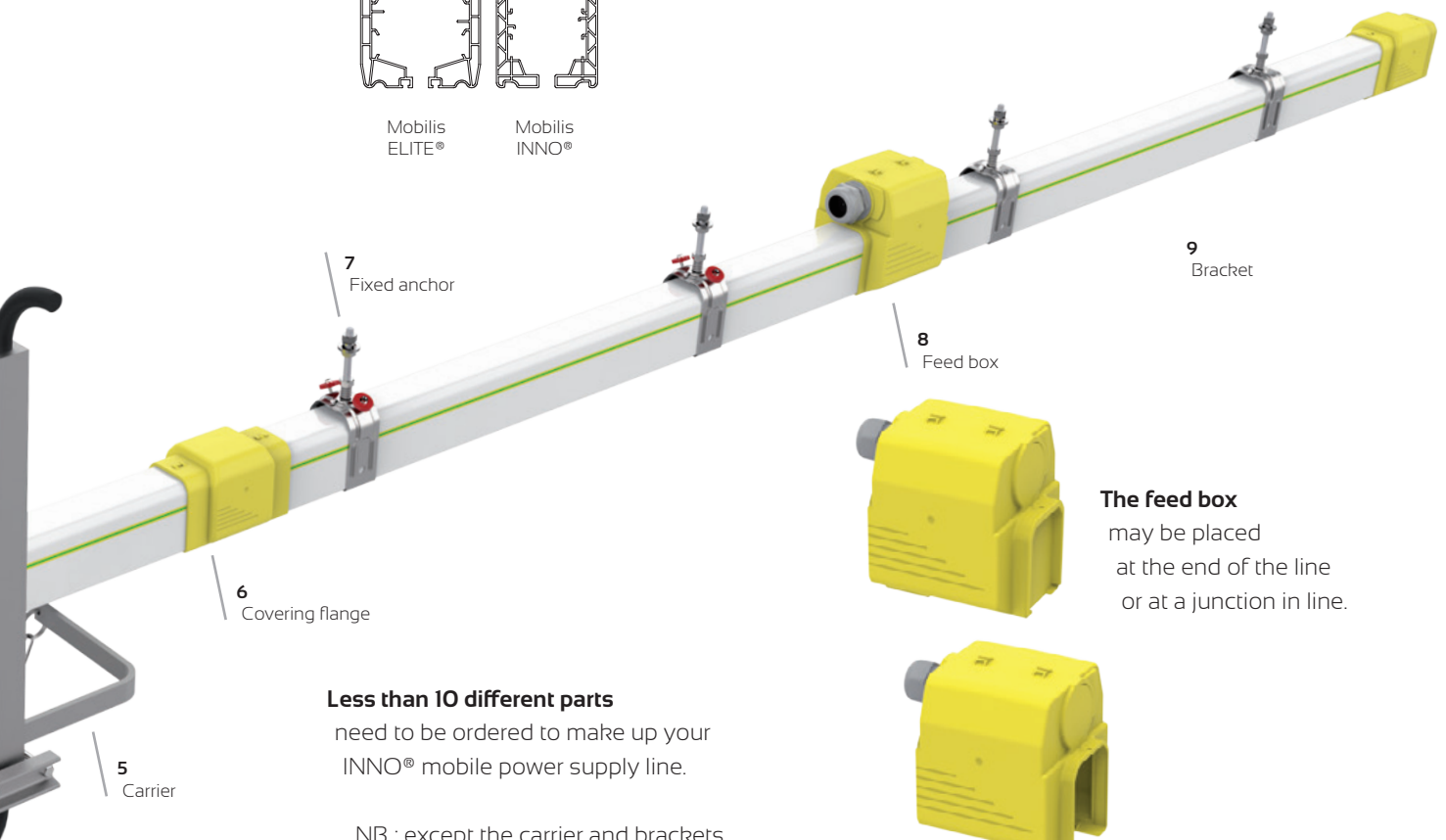


Mobilis ELITE®

Mobilis INNO®

**Reduced voltage drops at connections**

thanks to the very large exchange surface and the holding of optimum pressure at connections.



**The feed box**

may be placed at the end of the line or at a junction in line.

**Less than 10 different parts**

need to be ordered to make up your INNO® mobile power supply line.

NB : except the carrier and brackets, INNO® components cannot be used on an ELITE® line or vice versa.

Discover INNO® connection  
in video on



[mobilis.help/innomov](http://mobilis.help/innomov)

The INNO® duct complements the Mobilis ELITE® range. It will meet your optimisation and compactness expectations for standard straight lines with current requirements below 70A.



## Made in France

The Mobilis INNO® system has been designed and assembled in our plant in Illkirch, near Strasbourg.



2 rue J.M. Jacquard  
67400 Illkirch-Graffenstaden  
France

Postal address:  
B.P. 70069  
F - 67402 Illkirch Cedex

Tel. 33 (0)3 88 67 10 60

Fax 33 (0)3 88 55 01 79

[www.fels.fr](http://www.fels.fr)